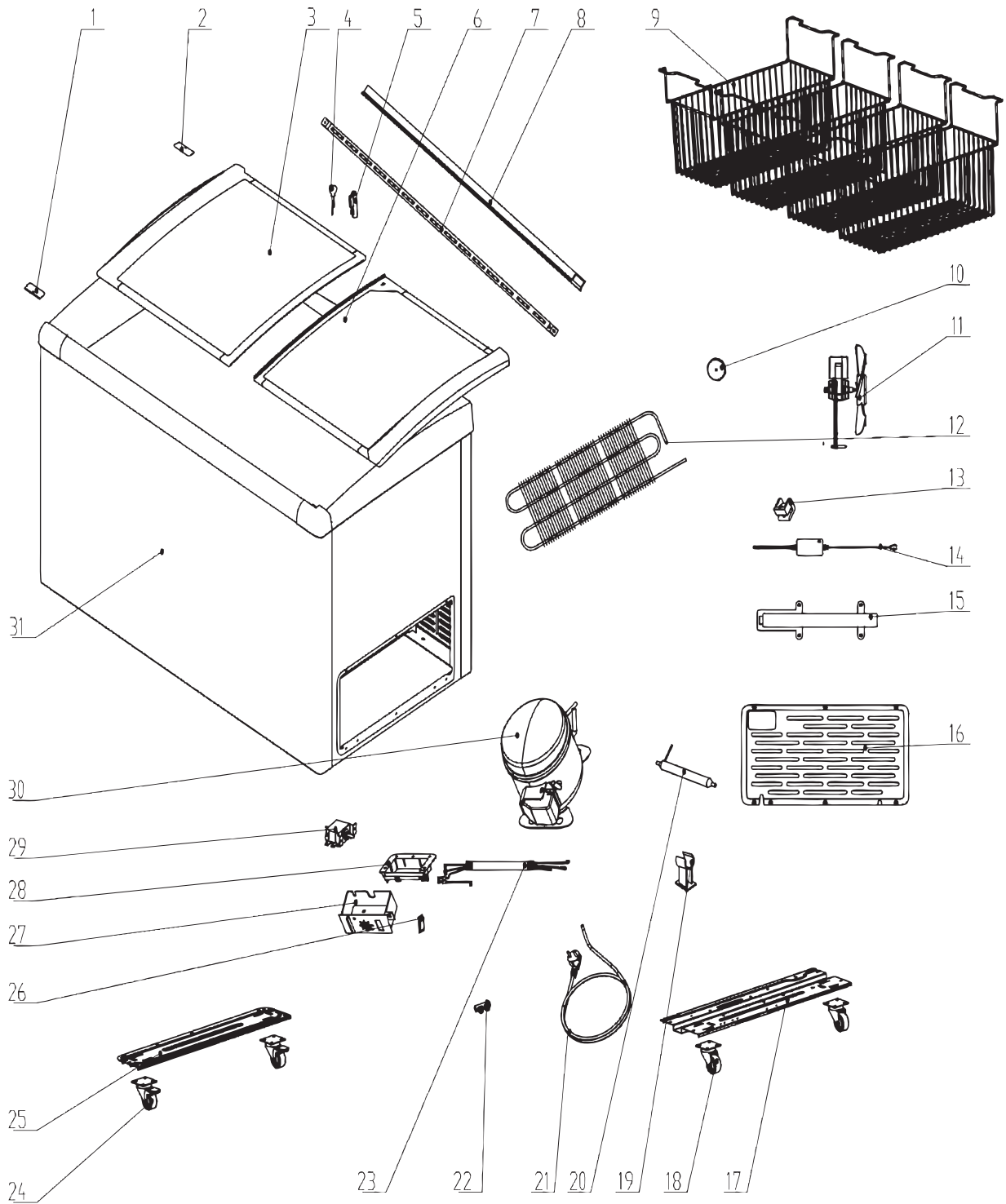


Parts Breakdown

Model **FR-CN-0266** 47752



Parts Breakdown

Model FR-CN-0266 47752

Item No.	Description	Position	Item No.	Description	Position	Item No.	Description	Position
AN604	Stop Block for 47752	1, 2	AN614	Condenser Mounting Bracket for 47752	13	AN624	Temperature-Controlled Wiring for 47752	23
AN633	Upper Glass Door Assembly for 47752	3	AN615	LED Light Transformer for 47752	14	AN625	Castor with Brake for 47752	24
AN606	Lock Bracket and Key for 47752	4, 5	AN616	Drip Tray for 47752	15	AN626	Castor Channel Iron for 47752	25
AN634	Bottom Glass Door Assembly for 47752	6	AN617	Compressor Cover for 47752	16	AN627	Flame-Proof Switch for 47752	26
AN635	LED Light for 47752	7	AN618	Compressor Support for 47752	17	AN628	Temperature Control Box for 47752	27
AN636	LED Light Cover for 47752	8	AN619	Castor without Brake for 47752	18	AN629	Thermostat Support for 47752	28
AN610	Basket for 47752	9	AN620	Filter Support for 47752	19	AN630	Thermostat for 47752	29
AN611	Thermostat Cover for 47752	10	AN621	Filter for 47752	20	AN637	Compressor LZ45XU1 for 47752	30
AN612	Fan Motor for 47752	11	AN622	Power Cord Assembly for 47752	21	AN638	Cabinet for 47752	31
AN613	Condenser for 47752	12	AN623	Wire Clamp for 47752	22			